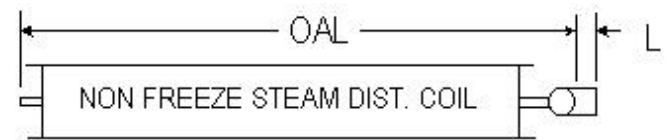
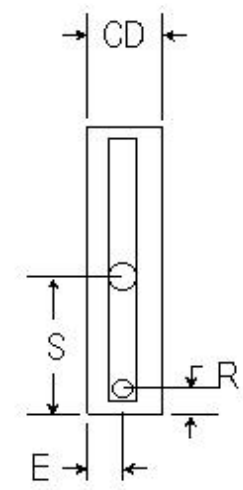
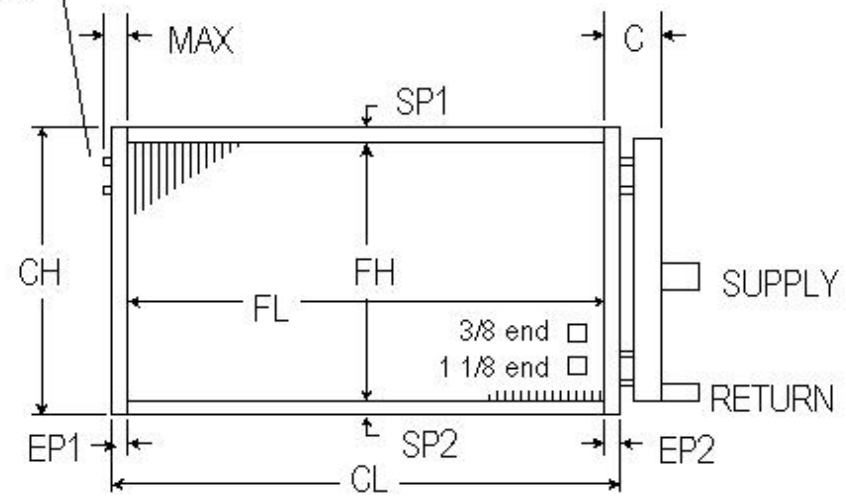


STEAM DISTRIBUTING

ROWS AVAILABLE	1	2			
FPI AVAILABLE	6 11	7 12	8 13	9 14	10
TUBES OD & Wall Thickness COPPER ONLY	5/8	.025 .035			
FINS Material & Thickness	ALUM.	.006	.010		
	COPPER	.006			
CASING	16 GA. GALV. STEEL 16 GA. STAINLESS STEEL				
HEADERS COPPER ONLY	1 ROW	2 5/8			
	2 ROW	3 1/8			



Spun Closed Ends



DIMENSIONAL DATA IN INCHES

ITEM	QTY	ROWS	FPI	SP1	FH	SP2	CH	EP1	FL	EP2	CL	MAX	C	OAL	L	CD	SUPPLY RETURN				CONNECTION SIZES		
																	S	E	R	E	□ MPT	SWEAT	FPT
																					SUPPLY	RETURN	CU
																							STL

P.O. #								CUSTOMER														
W.O. #								MODEL NO.														
APPROVED BY								TAG:														
DATE								NOTES														



Right Fit. Right Now.

Performance Data	CFM		EAT		LAT		CAPACITY		STEAM PRESSURE (psig)	
------------------	-----	--	-----	--	-----	--	----------	--	-----------------------	--